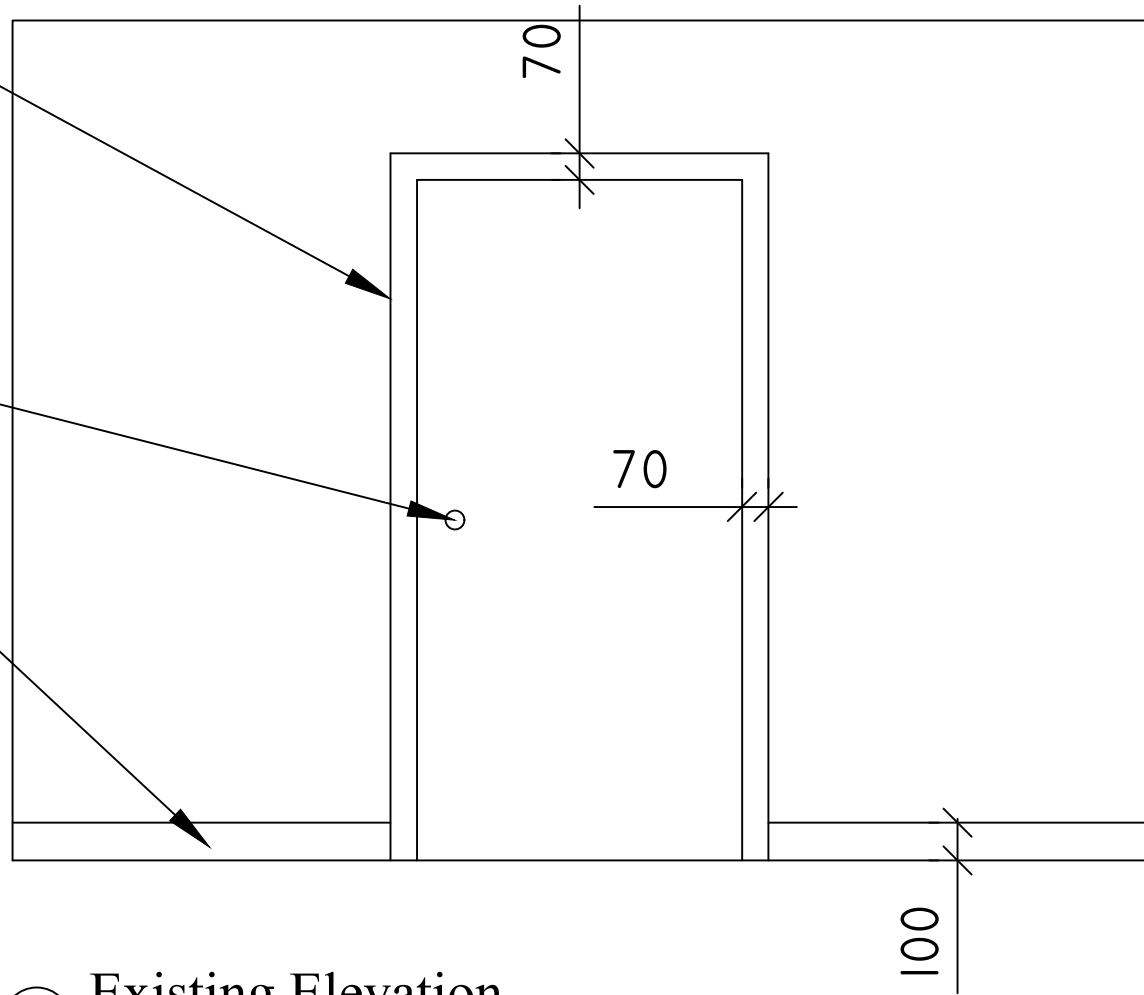


Architrave

Doorhandle

Skirting

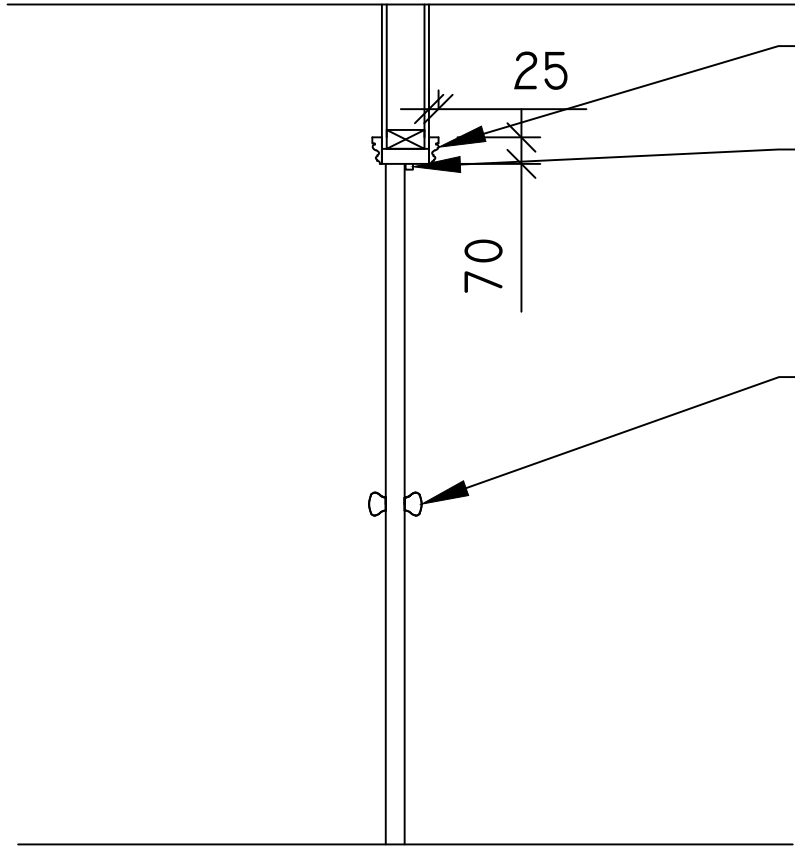


5 Existing Elevation
Scale 1-20

Architrave

Door stop

Doorhandle



5 Existing Section
Scale 1-20

PROJECT		Drg No- CD901-L01	
Proposed Door Plan		Scale: As shown	
Principality House		Assembled	
Middle Mwldan		17th September 2019	
Cardigan, SA43 1HR		Drawn By: Checked By: Planning of:	Paper Size A4

Archi-Tech
STEWART CORBETT
ARCHITECTURAL DESIGN & MANAGEMENT.
Workspace 2, Creative Mwldan, Bath House, Cardigan,
Tel:(01239)622402. Mob:07968941849. Email: info@architechwales.com
Archi-Tech is the trading name of Stewart J. Corbett Architectural Design & Management

